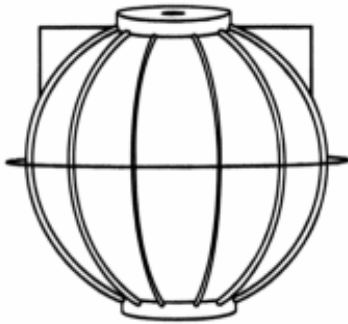
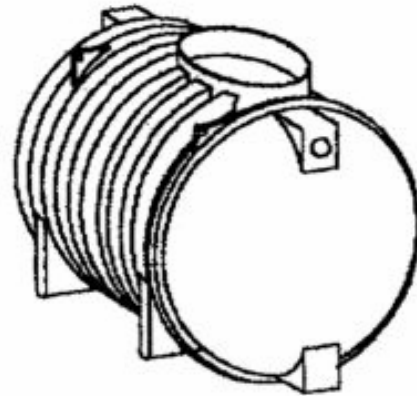


POLYETHYLENE SEPTIC TANKS

MODEL #	WORK VOL.	IMP GAL	MOH#	DIMENSIONS (IN.)
RKS-600	610	700	202	72 DIA. X 76 H
RKS-750	760	800	219	73 DIA. X 89 H
RKS-950	950	1140	350	64DIA. X 107L
<u>RKS-950 DOUBLE CHAMBER</u>				
	690/260	1140	351	64DIA. X 107L



RKS-600, RKS-750



RKS-950, RKS 690/260